

INKOMA /ALBERT

Great ideas need drive.

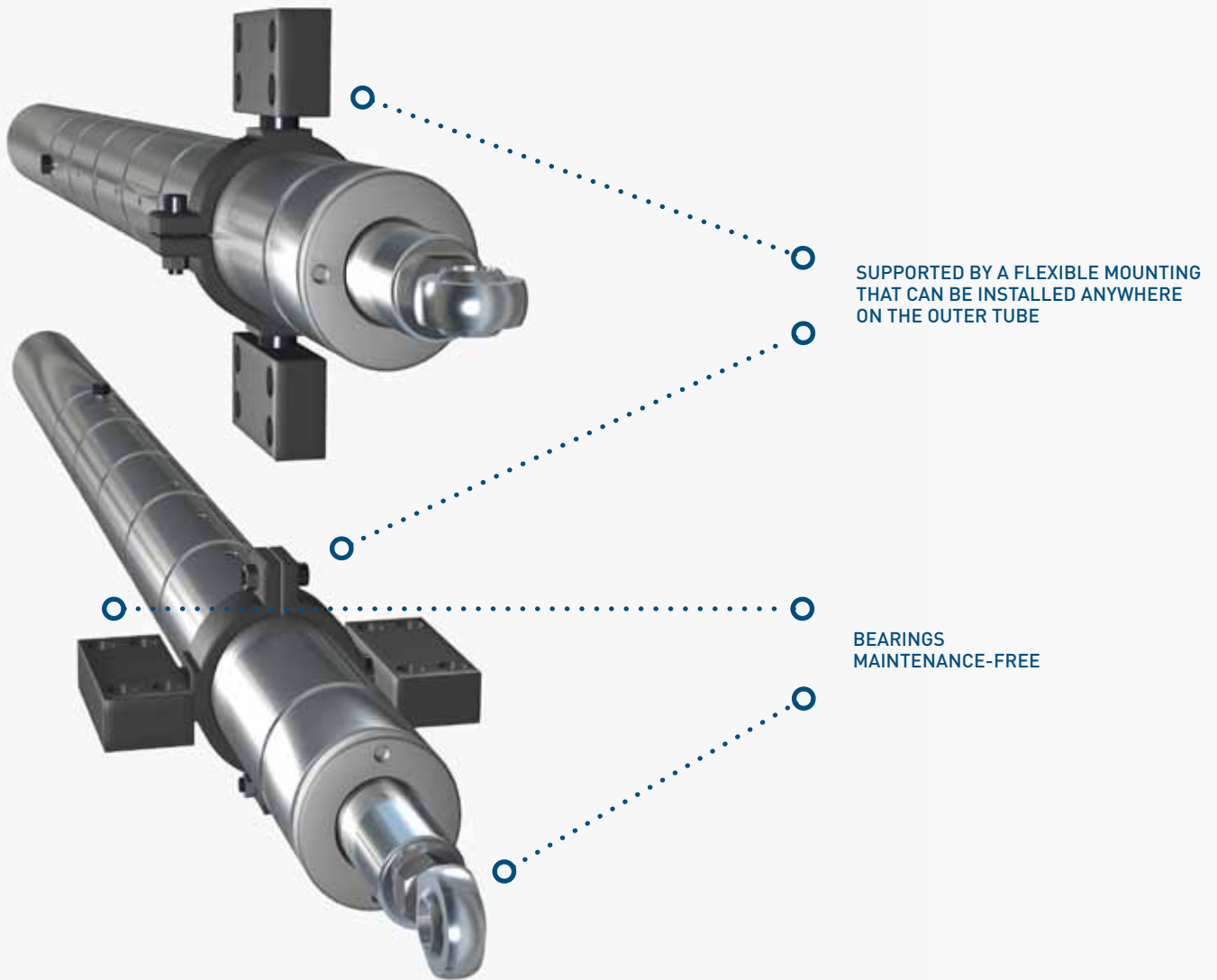
ASN SOLAR LINEAR ACTUATOR

SPECIFICALLY DESIGNED FOR SOLAR POWER SYSTEMS

The sun – energy supplier of the future – Eco-friendly and renewable. It can be a major electricity supplier for the whole world.

Tracking photovoltaic systems follow the position of the sun increasing energy generation by up to 40%.





DEVELOPED TO DRIVE TRACKING SOLAR POWER SYSTEMS

The ALBERT "ASN" solar linear actuator that has been specially designed for the requirements of tracking photovoltaic systems. Outdoor use in any weather conditions places very high demands on the moving components. Robustness of the material and the mechanical components is the basic prerequisite for ensuring reliable function of the energy generation system.

The ALBERT ASN solar linear actuators are available in four installation sizes and cover a load range between 25 kN and 130 kN. The system is supported by a flexible mounting that can be installed anywhere on the outer tube, allowing for easy integration of the ALBERT ASN solar linear actuator into both existing and new tracker systems. The unit is largely maintenance-free thus ensuring smooth continuous operation.

Our team is looking forward to receiving your inquiry. We will be happy to assist you from the technical design through to support during commissioning.

QUALITIES OF THE ASN SOLAR LINEAR ACTUATOR

- 4 sizes designed for tensile and compressive loads
- compact and robust design
- variable fixing for universal mounting
- 24V-DC actuator, available with encoder
- end of stroke limit switch
- AC motorised versions are available upon request
- low maintenance by using special materials
- mechanically self-locking
- internal anti-turn device for the push rod
- corrosion-resistant paint
- suitable for all environmental conditions



TECHNICAL INFORMATION

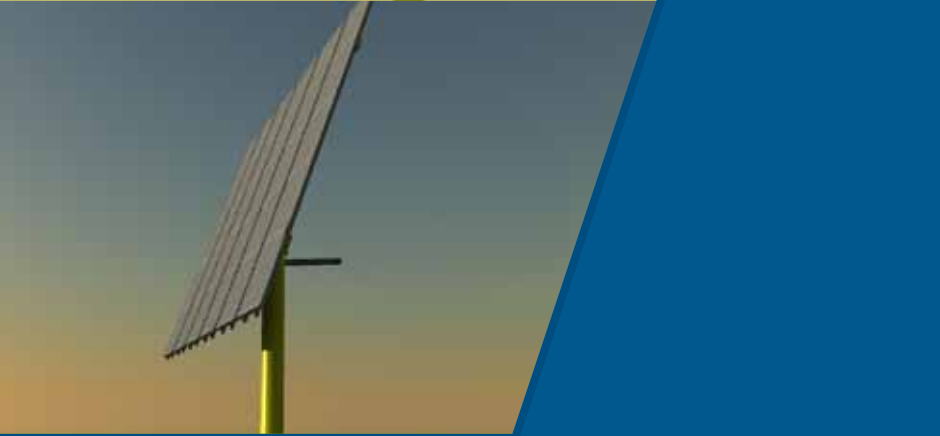
ORDER CODE	MAX. EFFECTIVE LOAD STATIC $F_{STAT.}$ [KN]	MAX. EFFECTIVE LOAD DYNAMIC $F_{DYN.}$ [KN]	STROKE [MM]	LIFTING SPEED V_{HUB} [MM/S]
ASN 25.2	25	8	650	2
ASN 40.1	40	15	900	2
ASN 70	70	25	1200	2
ASN 130	130	35,5	1500	1,8

ORDER CODE	INPUT POWER $P_{AN.}$ [W]	AT NOMINAL LOAD [KN]	VOLTAGE AND CURRENT	OPERATING TEMPERATURE
ASN 25	60	8	24V-DC 3,6A	-20°C bis +70°C
ASN 40	135	15	24V-DC 7,7A	-20°C bis +70°C
ASN 70	210	25	24V-DC 11,4A	-20°C bis +70°C
ASN 130	280	35,5	24V-DC 17A	-20°C bis +70°C

Request our complete catalogue or visit us on the Internet. You can obtain a free download of our brochure or the product drawing of the selected item using the CADENAS facility.

INKOMA /ALBERT

Great ideas need drive.



© Maschinenfabrik Albert 2014
Photography, layout, concept: www.fbwk.at

www.albert.at

Maschinenfabrik ALBERT
Technologiepark 2
A-4851 Gampern
T: +43 (0) 7682-39080-10
F: +43 (0) 7682-39080-99
office@albert.at