

# INKOMA /ALBERT

Great ideas need drive.

## KG BEVEL SHAFT MOUNTING RIGHT ANGLE GEAR UNITS





**INKOMA-bevel shaft mounting right angle gear units type - KG** are bevel gear units having dimensions compatible with the current INKOMA-precision screw jacks range HSG, (the centre height and input shaft diameter of the HSG are the same as those of the KG).

They are often used when, for space reasons, the motor connection needs to be positioned at right angles to the worm shaft of the screw jack.

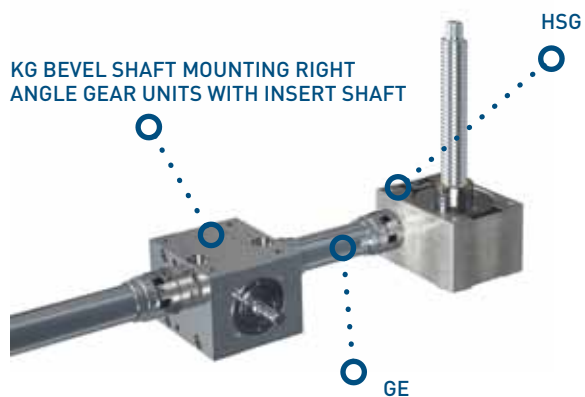
Usually the **INKOMA-bevel shaft mounting right angle gear units type - KG** is fitted to the input shaft of the compatible screw jack. Using a separate male shaft the INKOMA-bevel shaft mounting right angle gear unit can be employed as a standard right angle gearbox. Tapped holes provided in the casing of the right angle gear unit considerably enhance the range of applications.

# TECHNICAL INFORMATION

MODEL	NOMINAL TORQUE (1500 1/MIN) [NM]	MAX. TORQUE [NM]	MAX. INPUT SPEED [1/MIN]	RATIO i	COMBINES WITH SCREW JACK
KG-0	3	4,2	1500	1:1	HSG-0
KG-1	7	9,2	1500	1:1 / 2:1	HSG-1
KG-2	11	14	1500	1:1	HSG-2
KG-3	24	31	1500	1:1	HSG-3

Special sizes and executions are possible, please enquire.

**INKOMA-bevel shaft mounting right angle gear units type - KG** are designed for use with other products. Using the optional solid shaft allows it to be used as a conventional right angled gearbox.



KG bevel shaft mounting right angle gear units  
HSG precision screw jack  
GE flexible cardan shaft

Request our complete catalogue or visit us on the Internet.  
You can obtain a free download of our brochure or the product drawing of the selected item using the CADENAS facility.

# INKOMA /ALBERT

Great ideas need drive.



© Maschinenfabrik INKOMA 2014  
Photography, layout, concept: www.fbwk.at