

ALBERT ASN System - solar linear actuator

INKOMA - GROUP



Maschinenfabrik ALBERT GmbH
Technologiepark 2
A - 4851 Gampern - Austria

phone: +43/(0)7682-39080-10
fax: +43/(0)7682-39080-99
e-mail: office@albert.at
internet: www.ALBERT.at

We reserve the right to make technical changes.
2013-1-MP-OE-e © INKOMA-GROUP



ALBERT ASN System - solar linear actuator

Product description

ASN System-solar linear actuator - specifically designed for solar power systems

The sun

energy supplier of the future

eco-friendly and renewable

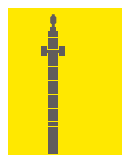
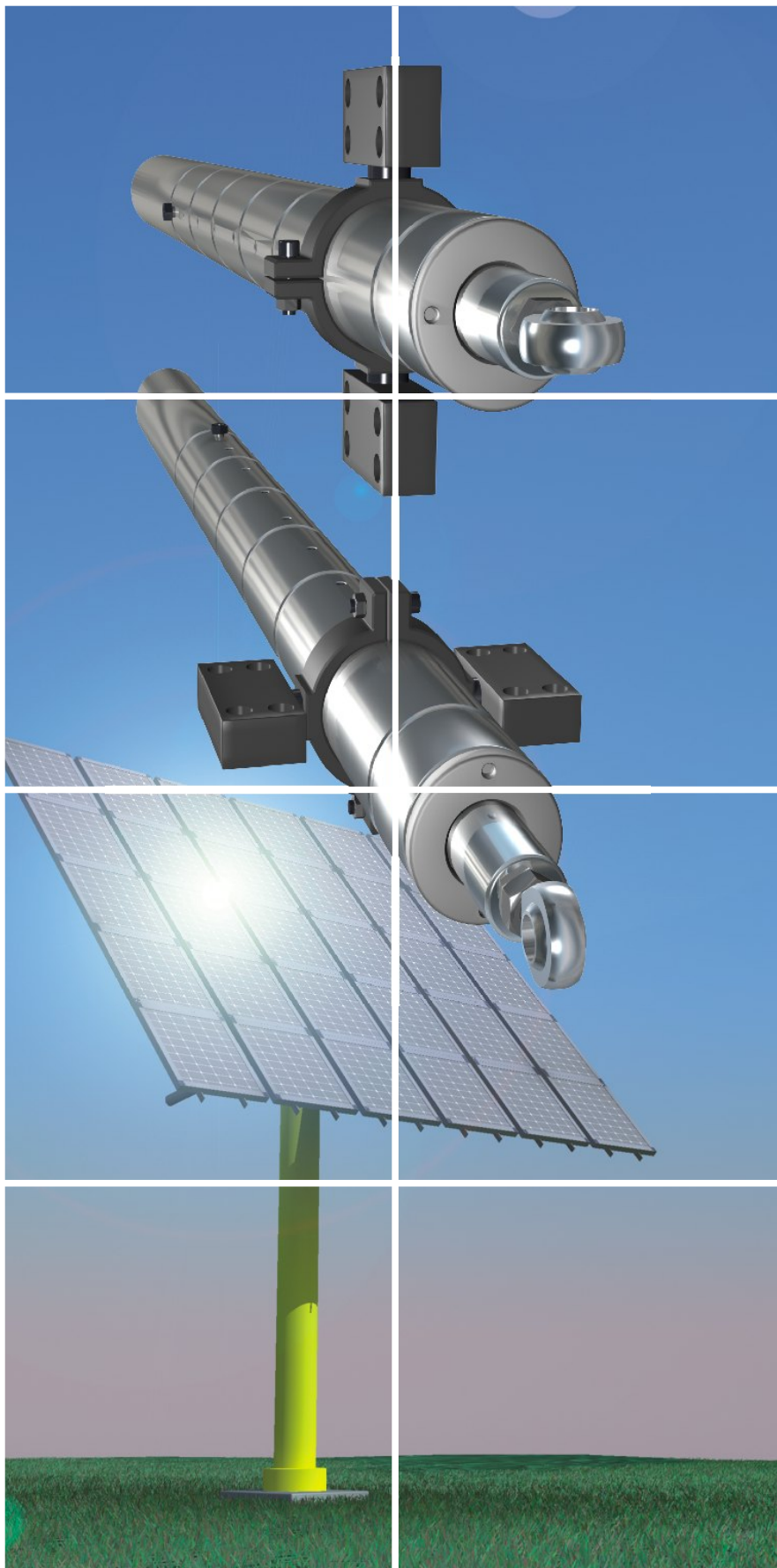
it can be a major electricity supplier
for the whole world

Tracking photovoltaic systems follow the position of the sun increasing energy generation by up to 40%.

The ALBERT "ASN" solar linear actuator that has been specially designed for the requirements of tracking photovoltaic systems. Outdoor use in any weather conditions places very high demands on the moving components. Robustness of the material and the mechanical components is the basic prerequisite for ensuring reliable function of the energy generation system.

The ALBERT ASN solar linear actuators are available in four installation sizes and cover a load range between 25kN and 130kN. The system is supported by a flexible mounting that can be installed anywhere on the outer tube, allowing for easy integration of the ALBERT ASN solar linear actuator into both existing and new tracker systems. The unit is largely maintenance-free thus ensuring smooth continuous operation.

Our team is looking forward to receiving your inquiry. We will be happy to assist you from the technical design through to support during commissioning.

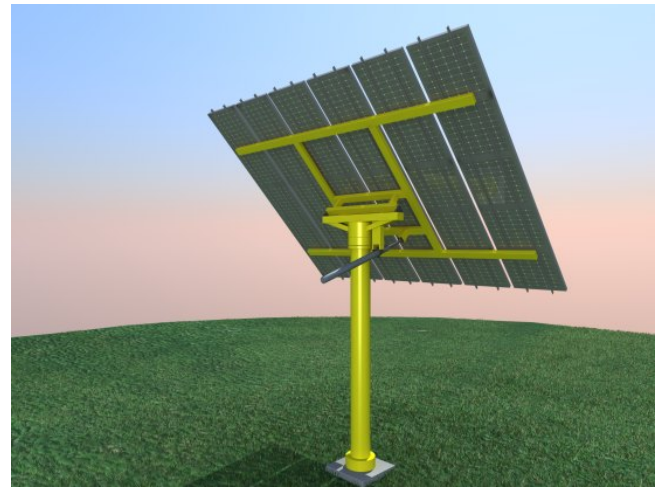
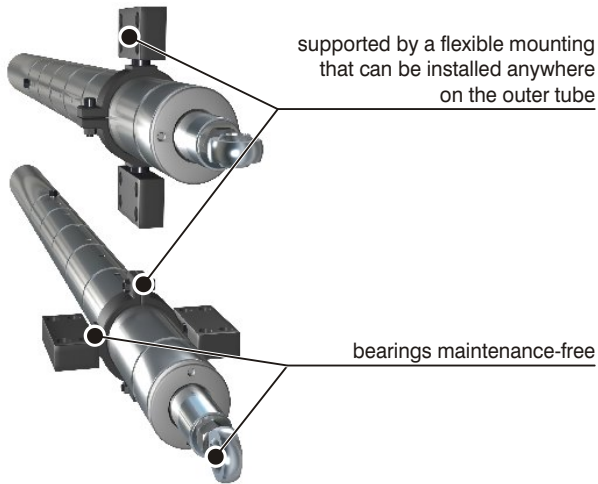


ALBERT ASN System - solar linear actuator

Technical information

ASN System-solar linear actuator ASN 25, ASN 40, ASN 70 and ASN 130

Flexible mounting arrangement for simple integration into existing or new Tracker Systems



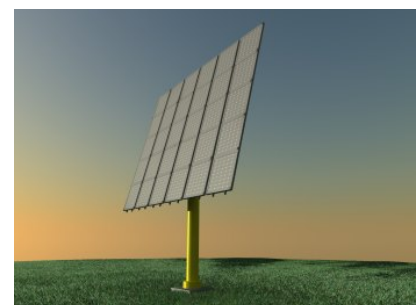
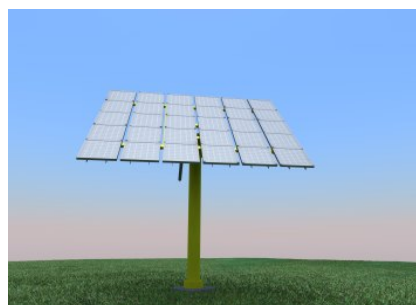
example of installation

ASN solar linear actuators have the following properties:

- 4 sizes designed for tensile and compressive loads
- compact and robust design
- variable fixing for universal mounting
- 24V-DC actuator, available with encoder
- end of stroke limit switches
- AC motorised versions are available upon request
- low maintenance by using special materials
- mechanically self-locking
- internal anti-turn device for the push rod
- corrosion-resistant paint
- suitable for all environmental conditions

Order code	Maximum effective load static	Maximum effective load dynamic	Maximum stroke [mm]	Lifting speed V_{lift} [mm/s]	Input power at nominal load		Voltage and current	Operating temperature
	$F_{stat.}$ [kN]	$F_{dyn.}$ [kN]			$P_{in.}$ [W]	[kN]		
ASN 25	25	8	650	1,33	60	8	24V-DC 2,9A	-20°C to +70°C
ASN 40	40	15	900	1,9	130	15	24V-DC 5,8A	-20°C to +70°C
ASN 70	70	25	1200	1,7	220	25	24V-DC 9A	-20°C to +70°C
ASN 130	130	35,5	1500	2,2	430	35,5	24V-DC 21A	-20°C to +70°C

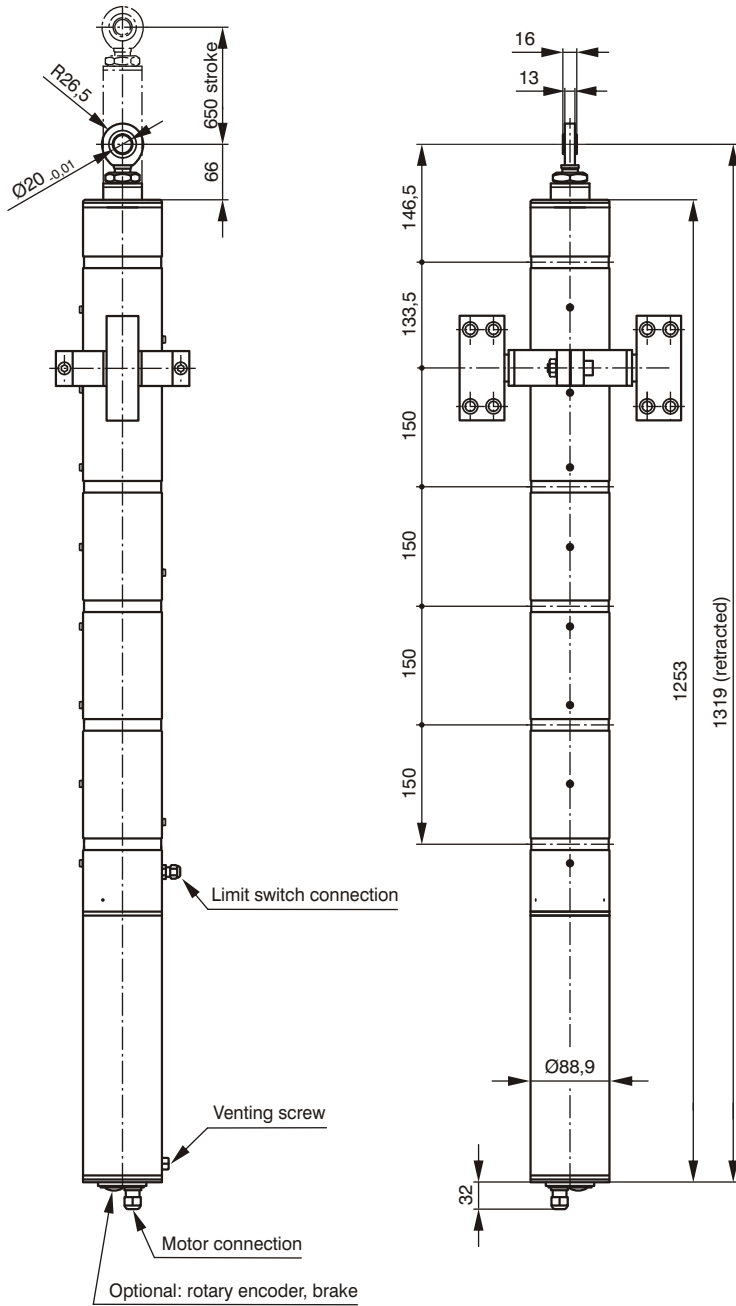
Tracking photovoltaic systems follow the position of the sun increasing energy generation by up to 40%.



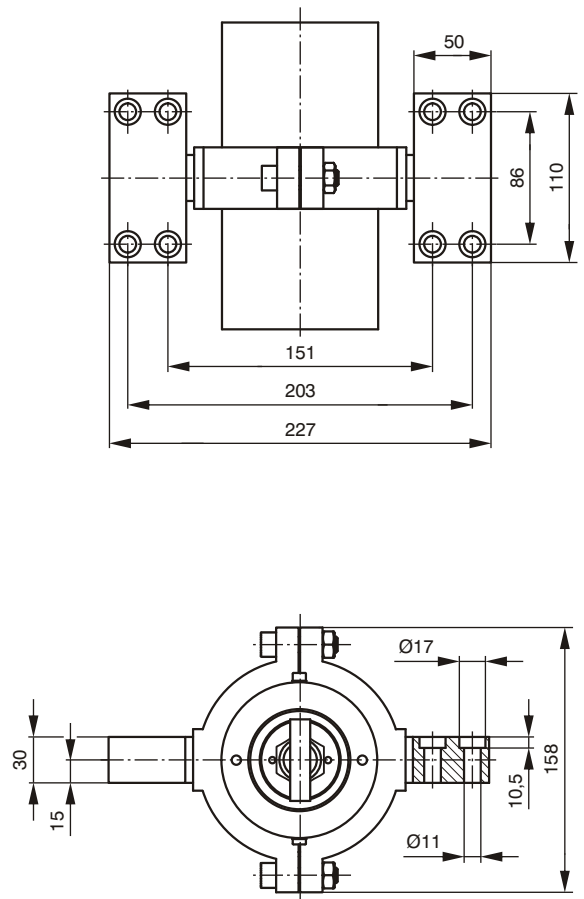
ALBERT ASN System - solar linear actuator

Dimensions ASN 25

ASN System - solar linear actuator size 25



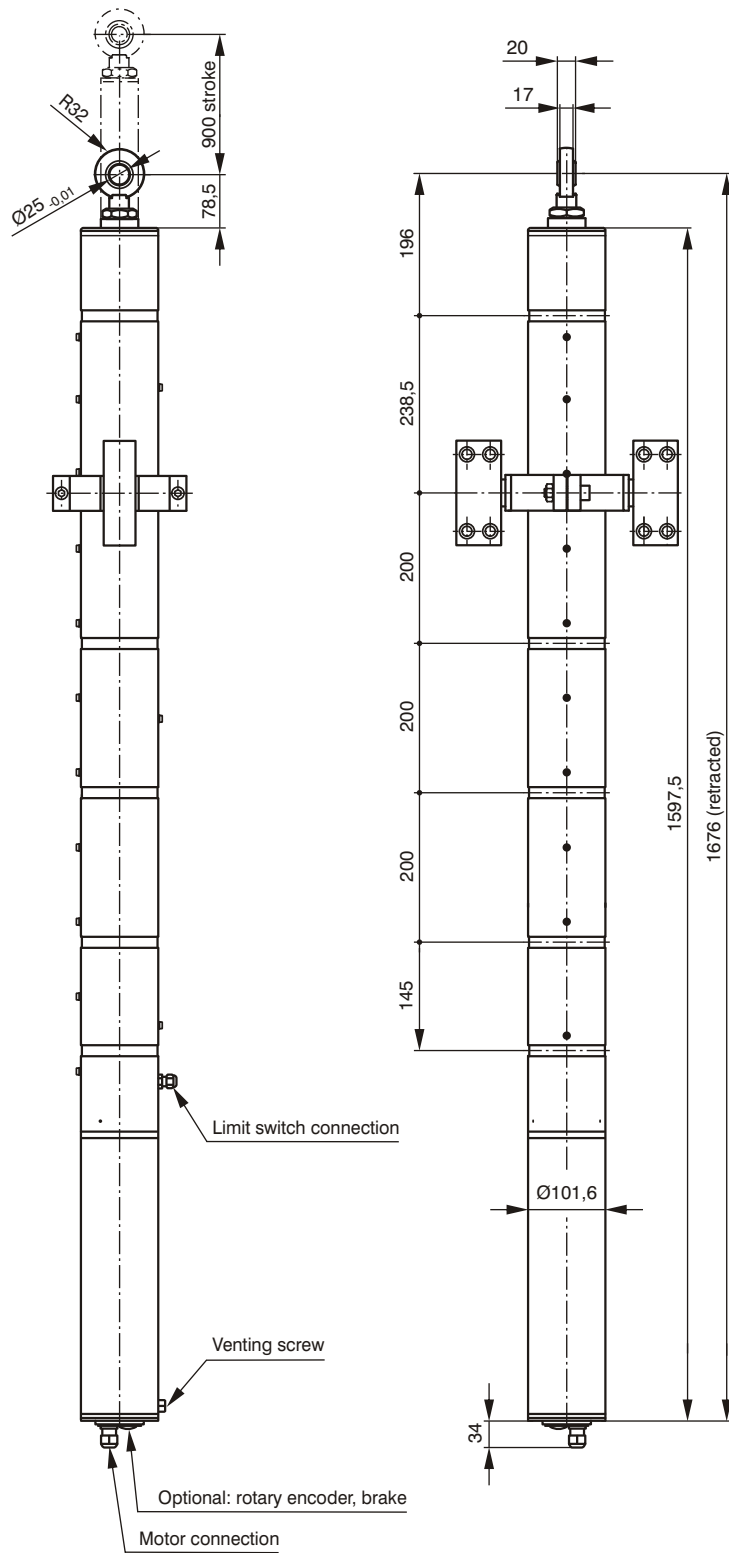
View pivot mounting



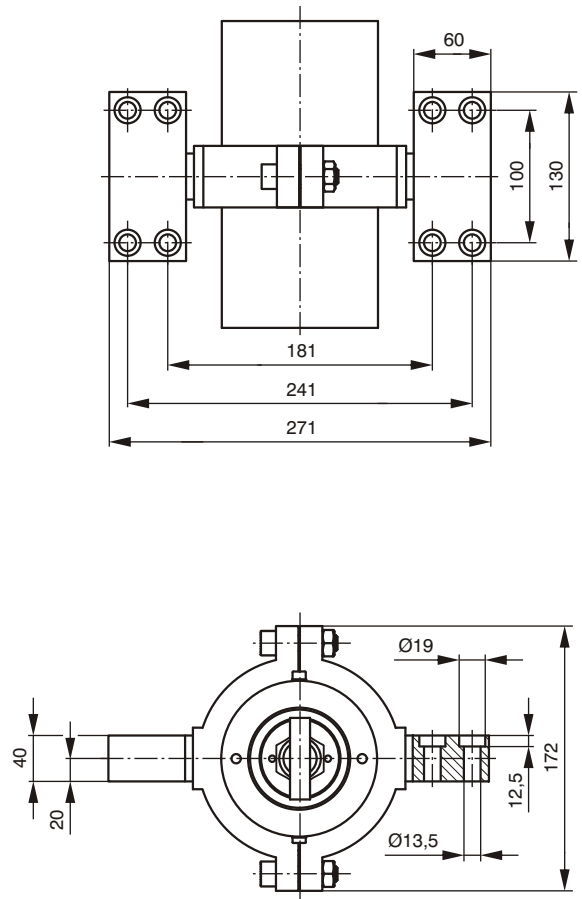
ALBERT ASN System - solar linear actuator

Dimensions ASN 40

ASN System - solar linear actuator size 40



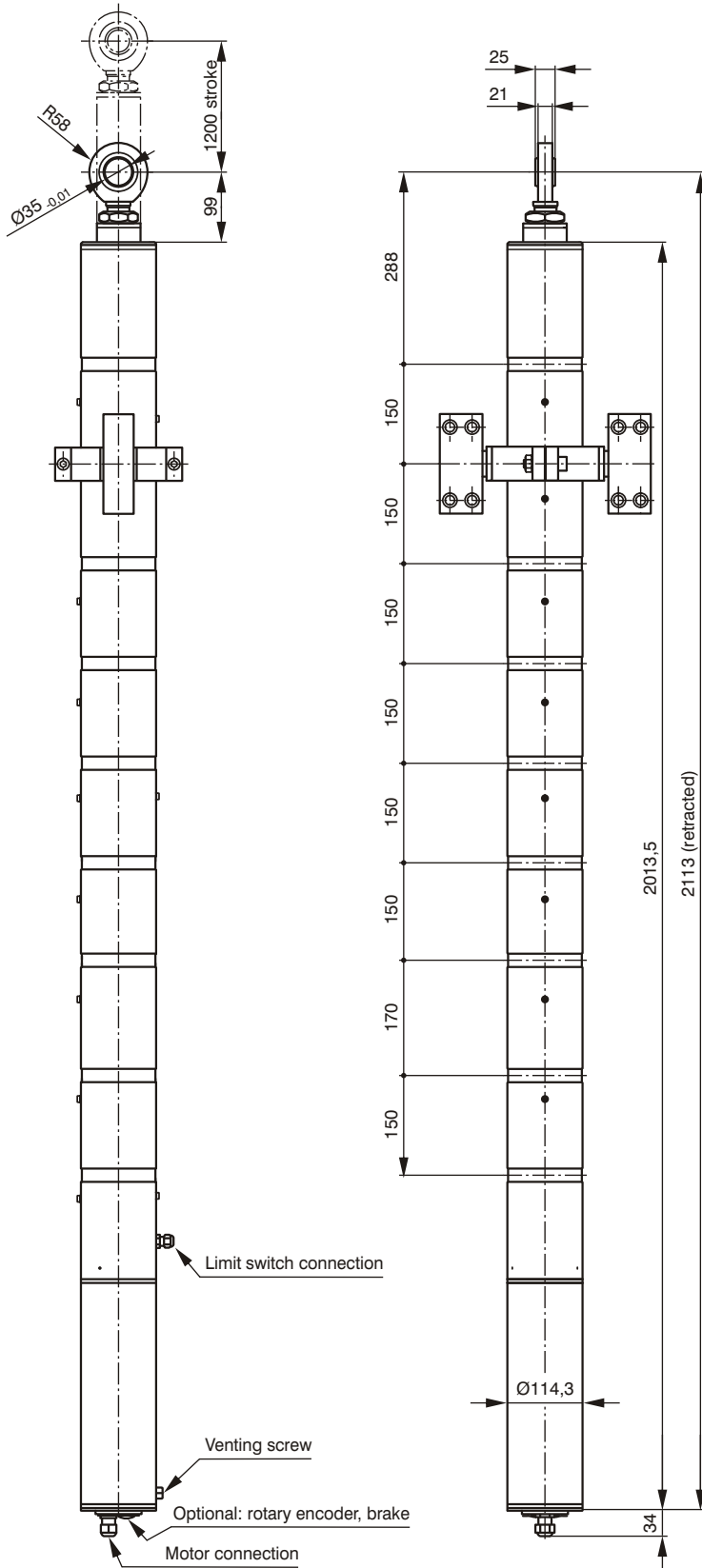
View pivot mounting



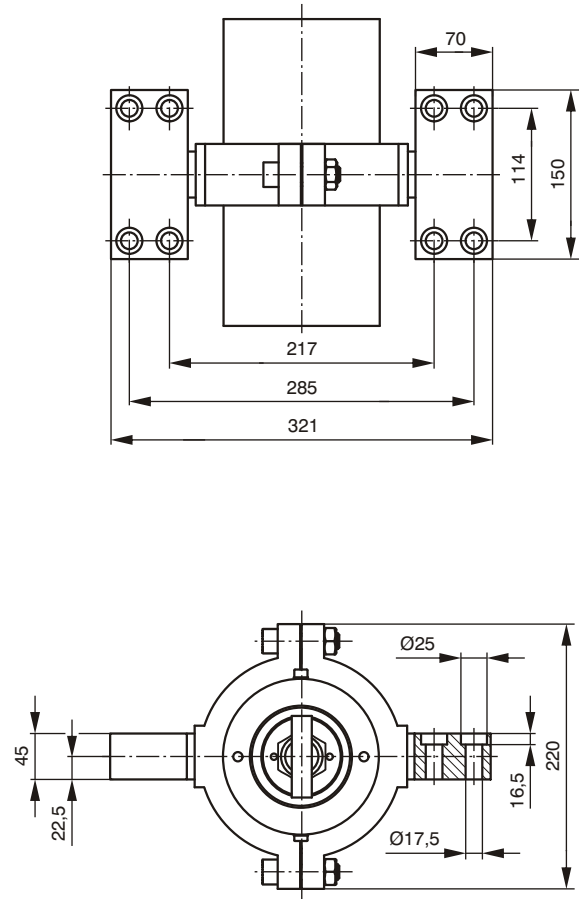
ALBERT ASN System - solar linear actuator

Dimensions ASN 70

ASN System - solar linear actuator size 70



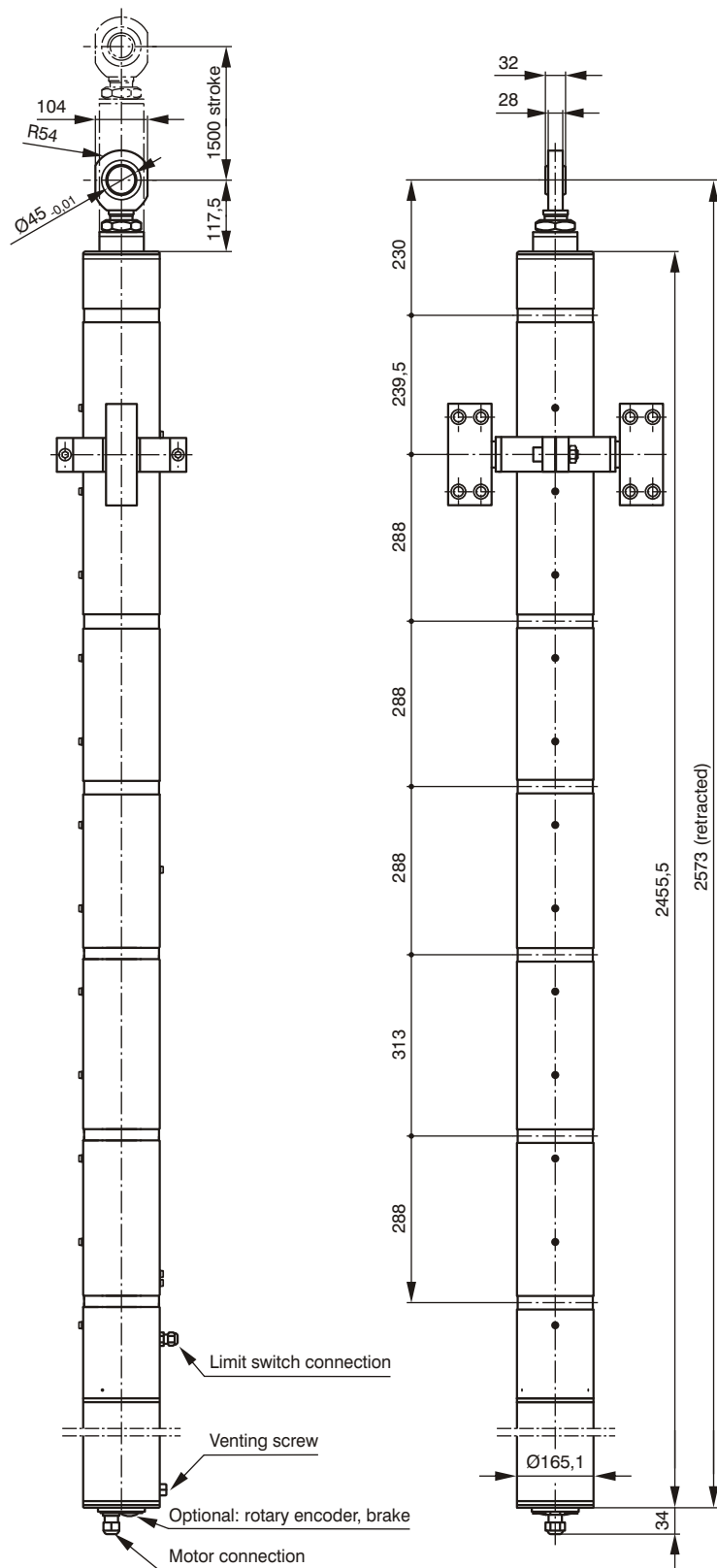
View pivot mounting



ALBERT ASN System - solar linear actuator

Dimensions ASN 130

ASN System - solar linear actuator size 130



View pivot mounting

